

UNLESS OTHERWISE SPECIFIED:
DIMENSIONS ARE IN MILLIMETERS

REVISION 02

PK8 - Pendelhok

NAME	SIGNATURE	DATE			
DRAWN Manfred Overkamp		01-05-2012			

TITLE:	Achterkant	
DWG NO.	P2012.002	A4
SCALE:1:2	SHEET 1 OF 1	

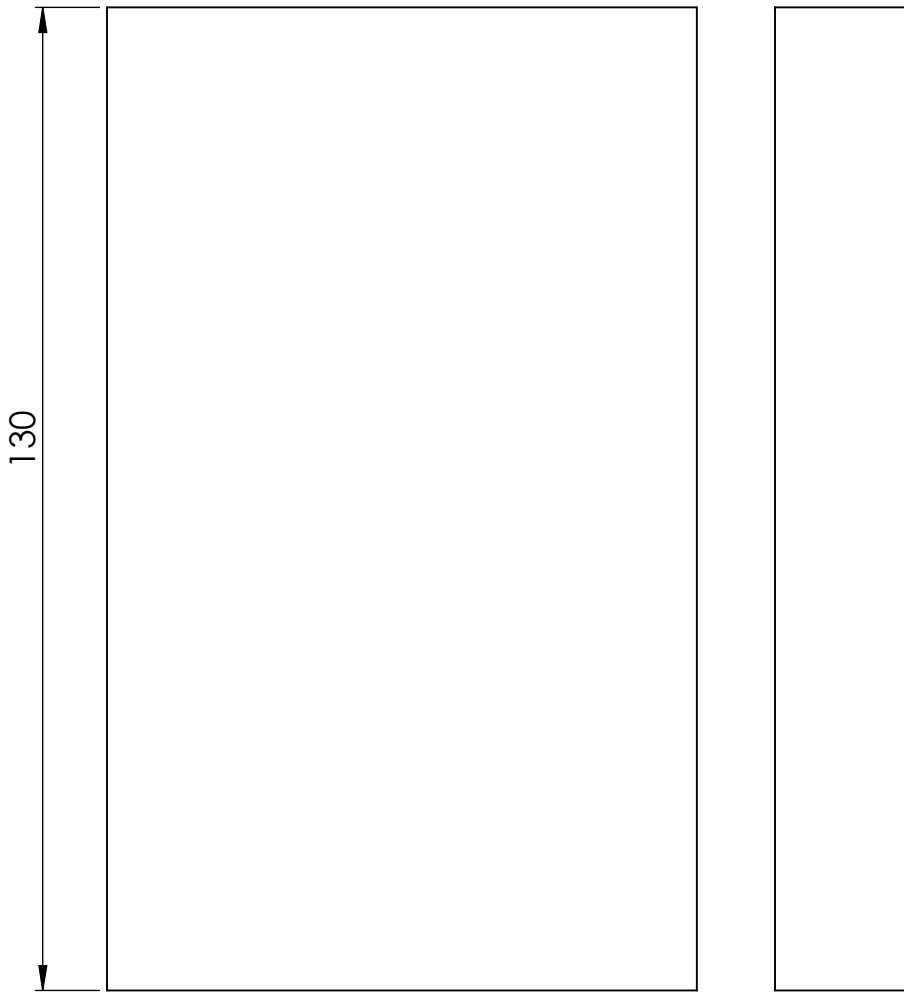
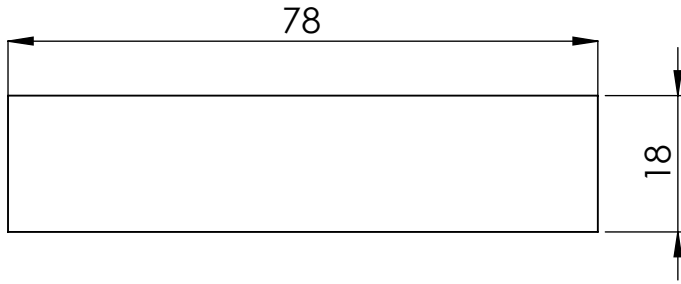
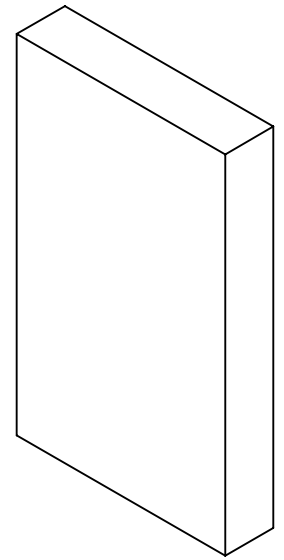
MATERIAL:
multiplex

WEIGHT:

DWG NO.

SCALE:1:2

SHEET 1 OF 1



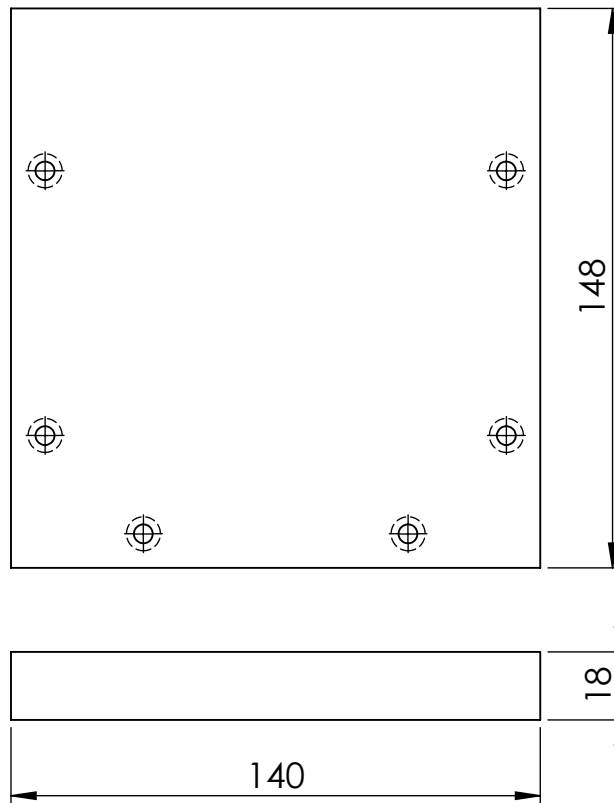
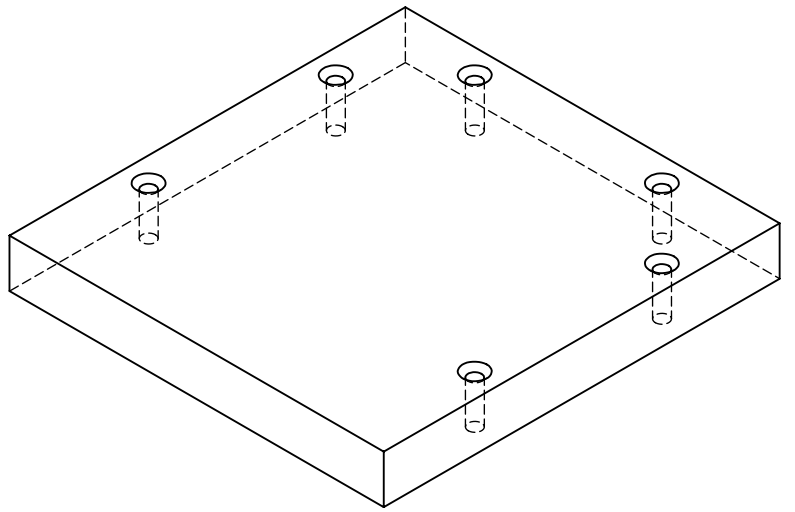
UNLESS OTHERWISE SPECIFIED:
DIMENSIONS ARE IN MILLIMETERS

REVISION 01

PKS - Pendelhok

NAME	SIGNATURE	DATE	MATERIAL:	WEIGHT:
DRAWN Manfred Overkamp		01-05-2012	multiplex	

TITLE:	Bodem	
DWG NO.	P2012.003	A4
SCALE:1:1	SHEET 1 OF 1	



UNLESS OTHERWISE SPECIFIED:
DIMENSIONS ARE IN MILLIMETERS

REVISION 01

PKS - Pendelhok

	NAME	SIGNATURE	DATE		
DRAWN	Manfred Overkamp		01-05-2012		

TITLE:		Bovenkant	
DWG NO.	P2012.004	A4	
SCALE:1:5		SHEET 1 OF 1	

MATERIAL:
multiplex

WEIGHT:

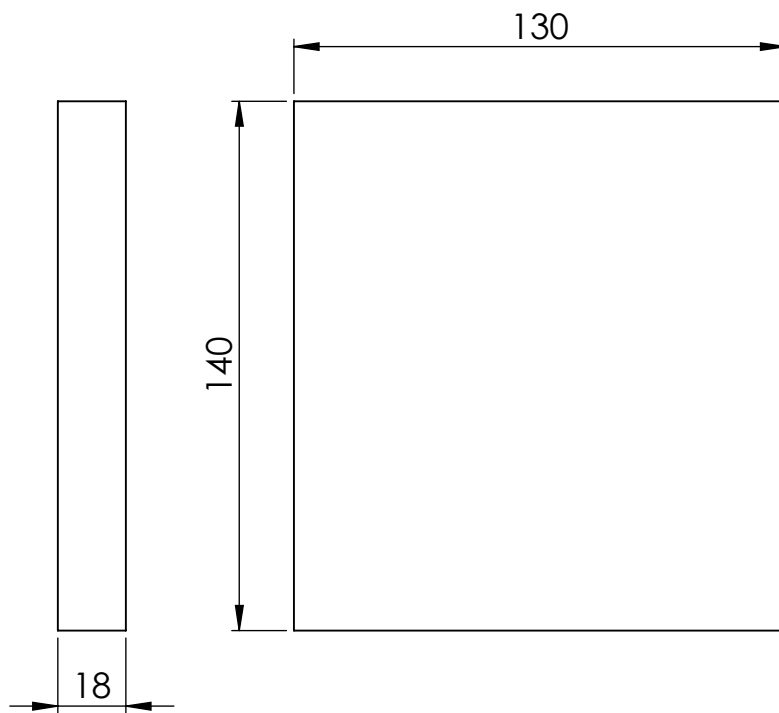
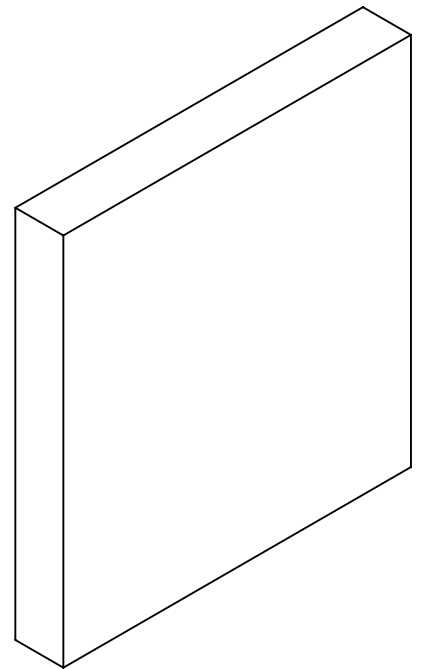
DWG NO.

P2012.004

A4

SCALE:1:5

SHEET 1 OF 1



UNLESS OTHERWISE SPECIFIED:
DIMENSIONS ARE IN MILLIMETERS

REVISION 01

PKS - Pendelhok

NAME	SIGNATURE	DATE			
DRAWN Manfred Overkamp		01-05-2012			

TITLE:	Zijkant	
DWG NO.	P2012.005	A4
SCALE:1:2	SHEET 1 OF 1	

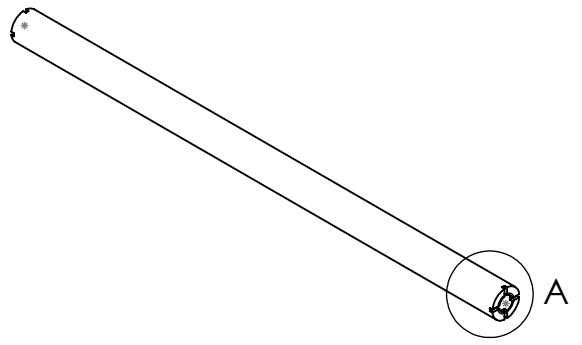
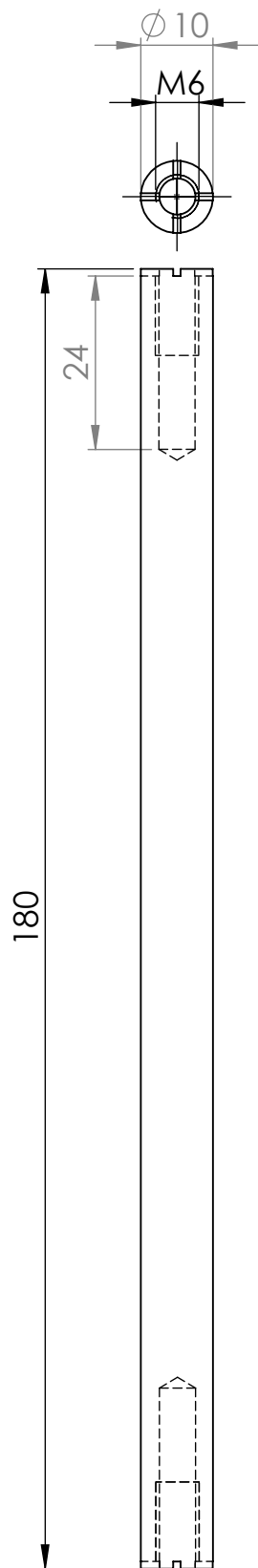
MATERIAL:
multiplex

WEIGHT:

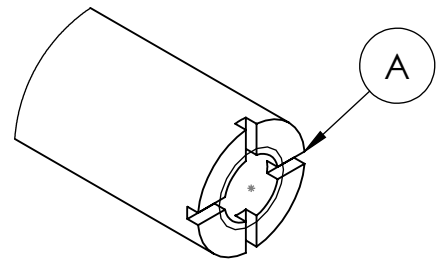
DWG NO.

SCALE:1:2

SHEET 1 OF 1



DETAIL A
SCALE 2 : 1



kruislinkse Inkeping
maken met ijzerzaag

UNLESS OTHERWISE SPECIFIED:
DIMENSIONS ARE IN MILLIMETERS

REVISION 01

PKS - Pendelhok

NAME	SIGNATURE	DATE
DRAWN Manfred Overkamp		01-05-2012

TITLE:

Pendel as

MATERIAL:
RVS

DWG NO.

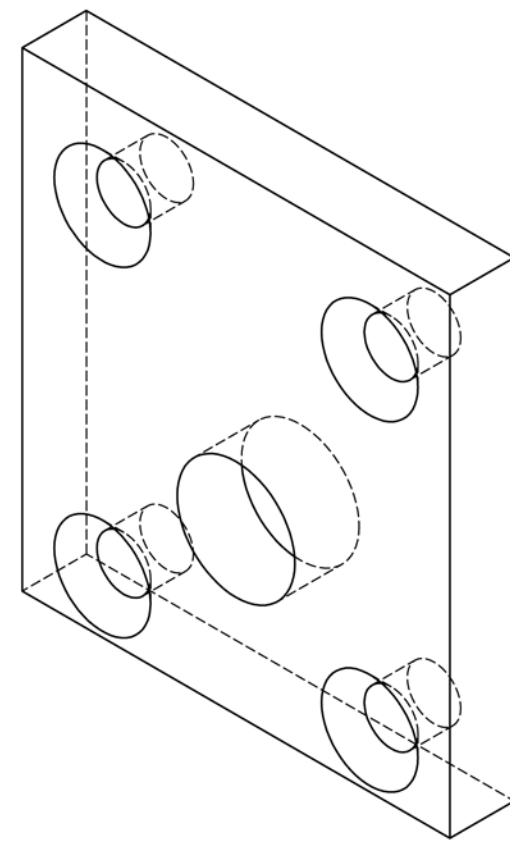
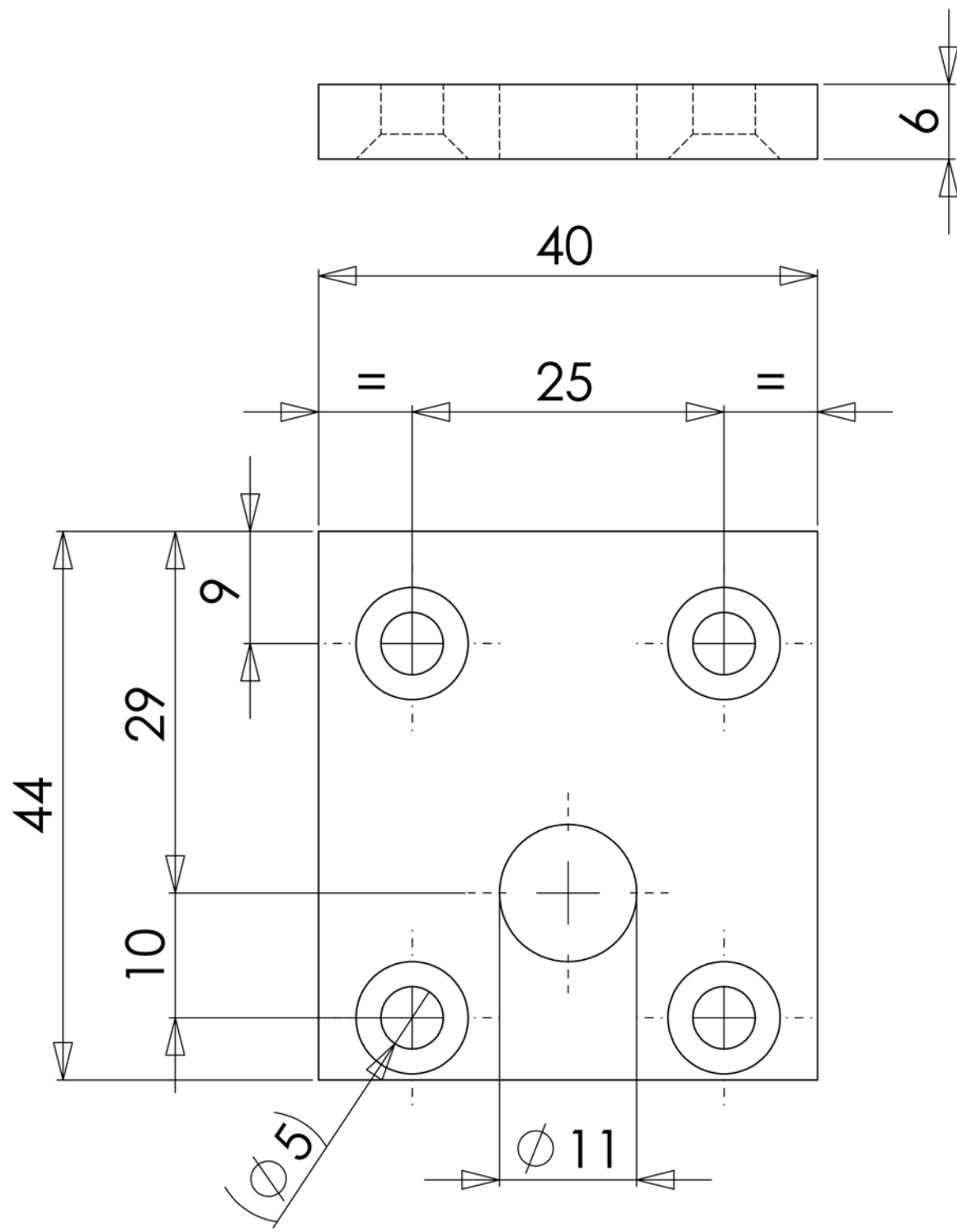
P2012.006

A4

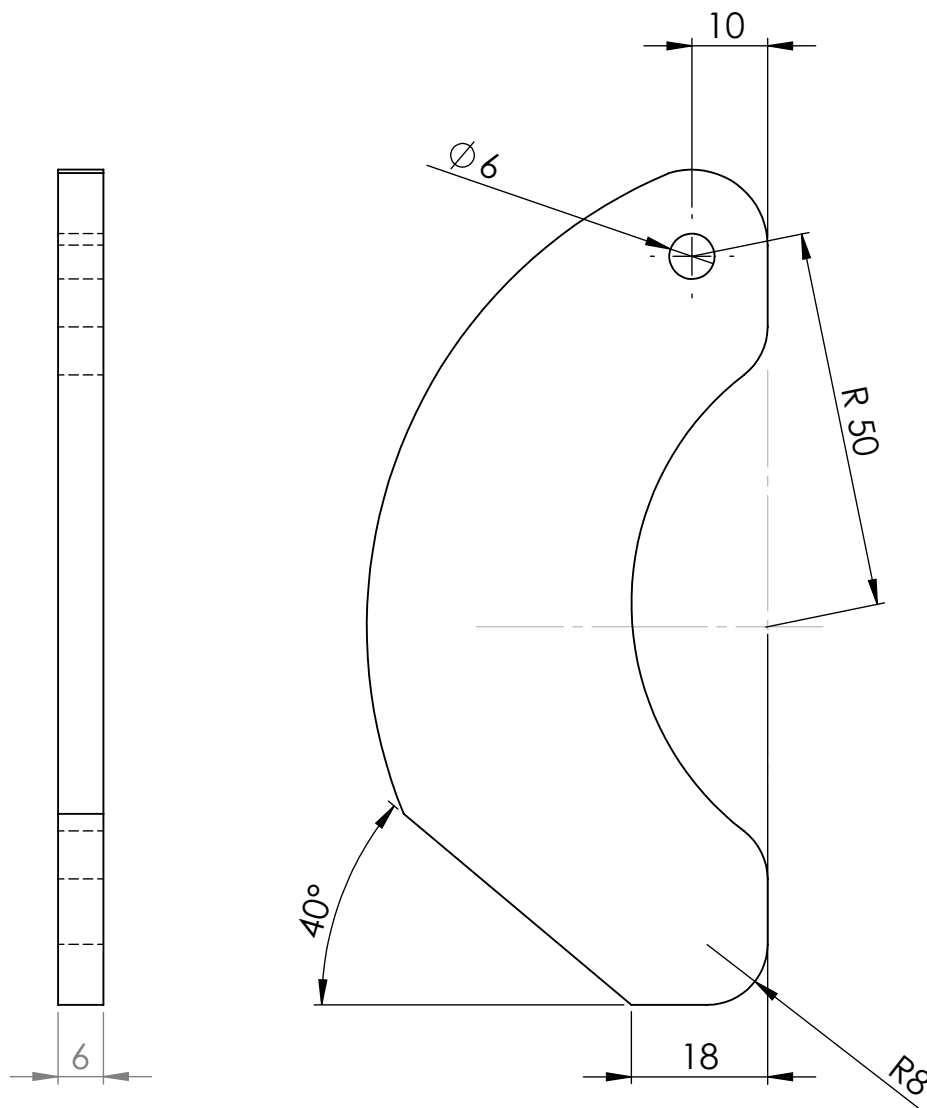
WEIGHT:

SCALE:1:1

SHEET 1 OF 1



UNLESS OTHERWISE SPECIFIED: DIMENSIONS ARE IN MILLIMETERS				REVISION 01	
				PKS - Pendelhok	
				TITLE: Pendel as lagering	
DRAWN	NAME Manfred Overkamp	SIGNATURE	DATE 01-05-2012	DWG NO.	P2012.007
				MATERIAL: Kunstof- Werkstof S	A3
				WEIGHT:	SCALE:2:1 SHEET 1 OF 1



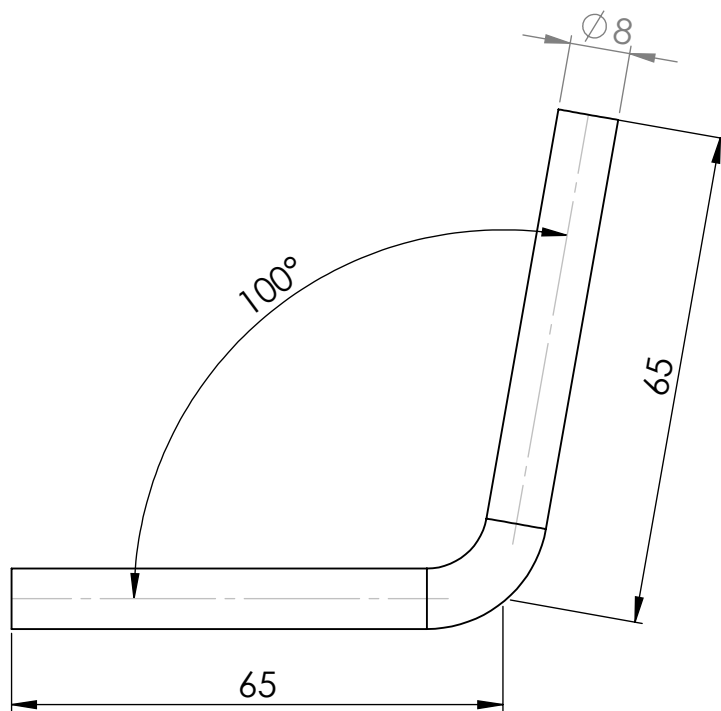
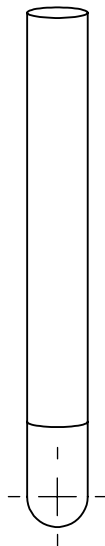
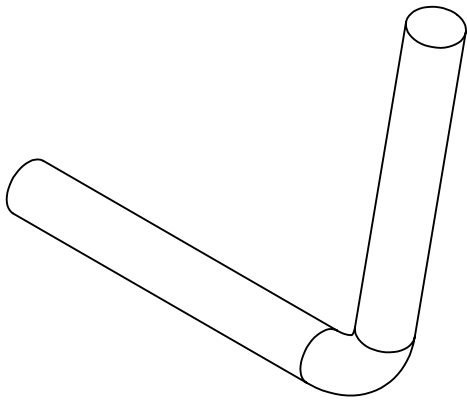
UNLESS OTHERWISE SPECIFIED:
DIMENSIONS ARE IN MILLIMETERS

REVISION 01

PKS - Pendelhok

NAME	SIGNATURE	DATE	MATERIAL:	WEIGHT:
DRAWN Manfred Overkamp		01-05-2012	Trespa	

TITLE:	Pendelschijf	
DWG NO.	P2012.008	A4
SCALE:1:1	SHEET 1 OF 1	



UNLESS OTHERWISE SPECIFIED:
DIMENSIONS ARE IN MILLIMETERS

REVISION 01

PKS - Pendelkast

NAME	SIGNATURE	DATE			
DRAWN Manfred Overkamp		01-05-2012			

TITLE:
Dak verankerings pen

MATERIAL:
RVS

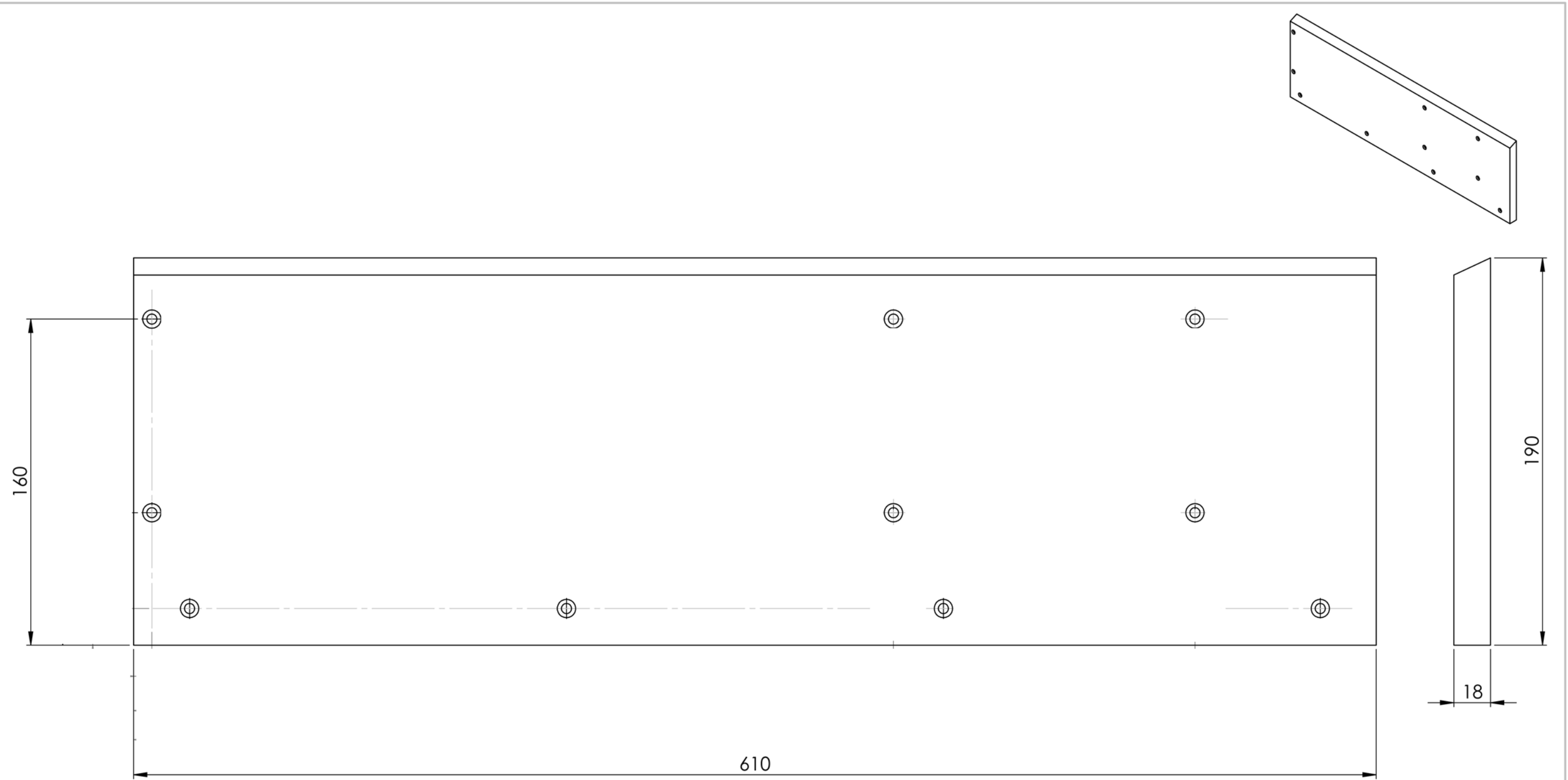
DWG NO. **P2012.009**

A4

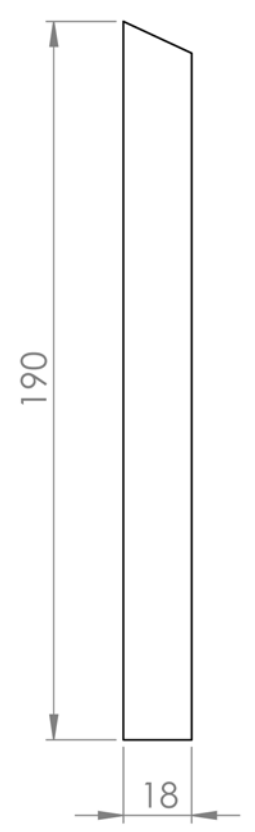
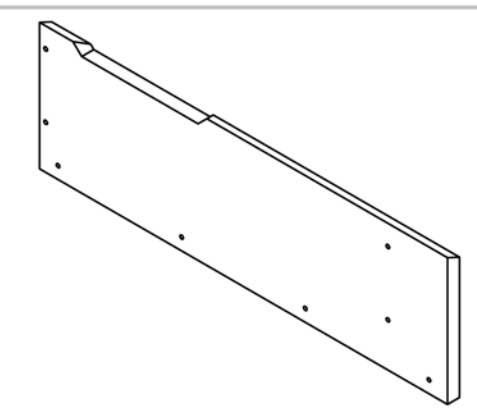
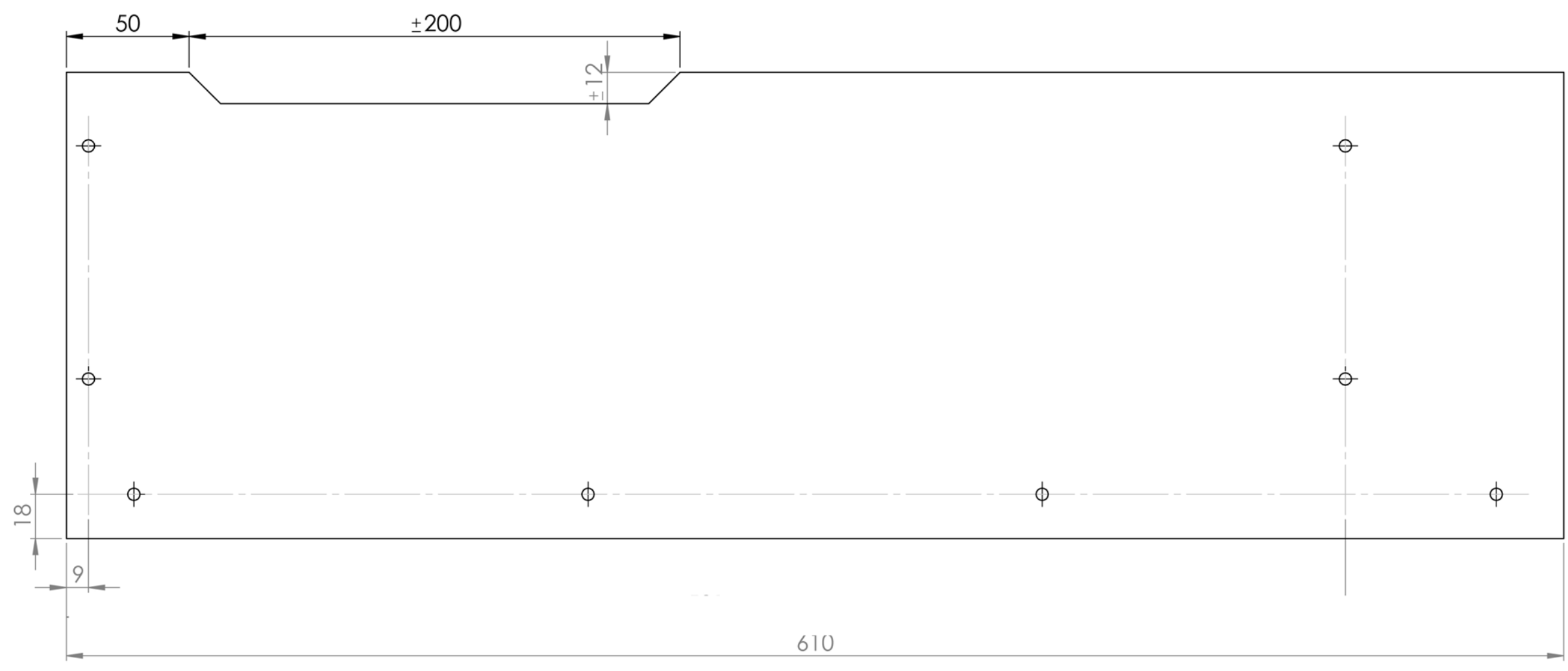
WEIGHT:

SCALE:1:1

SHEET 1 OF 1

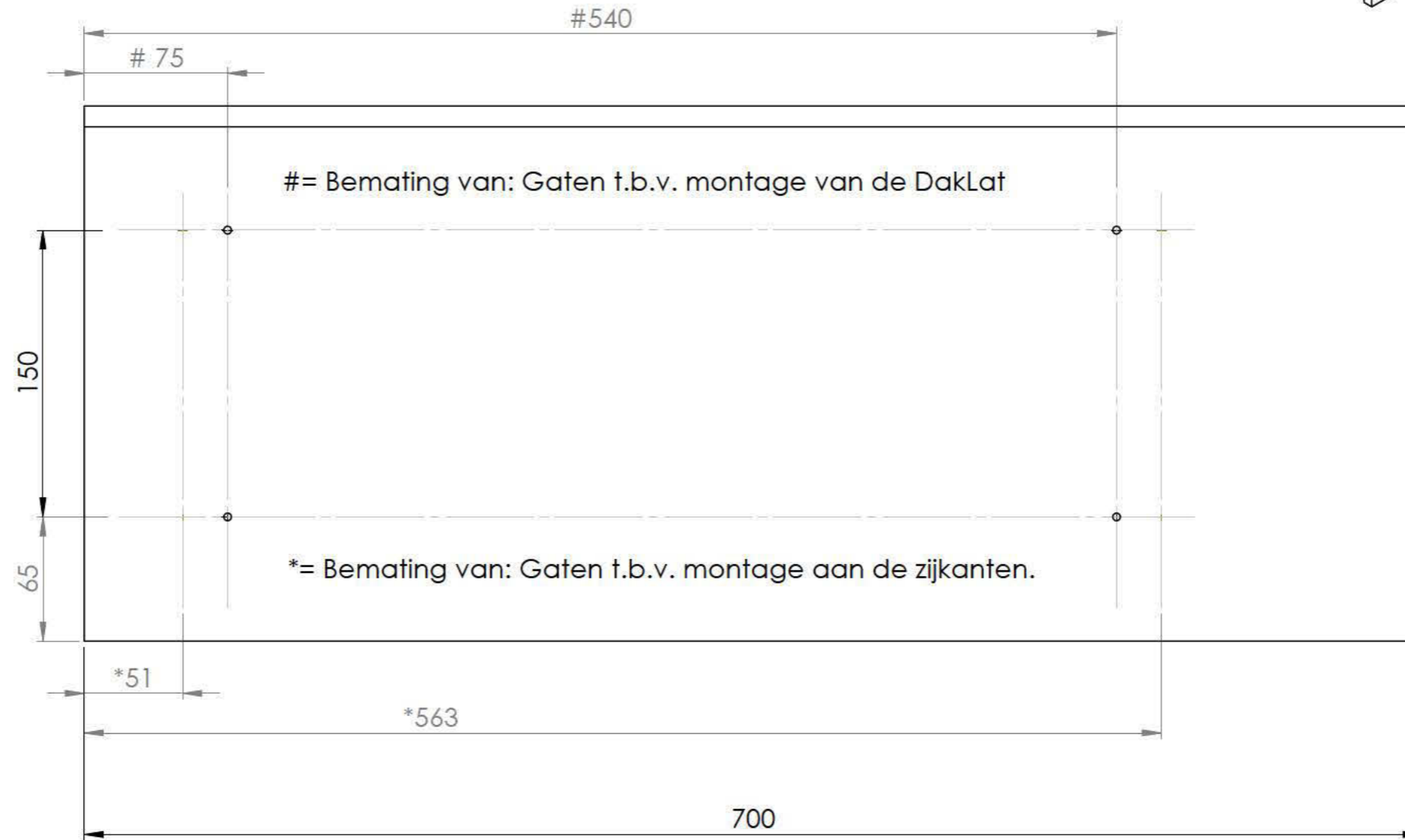
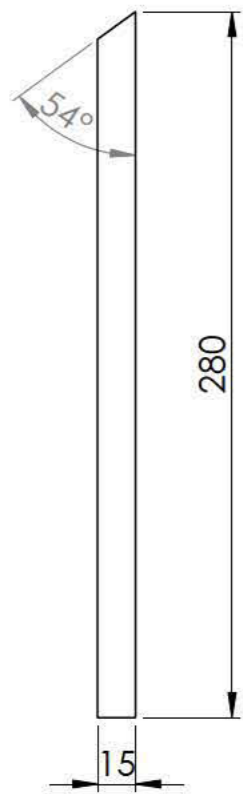
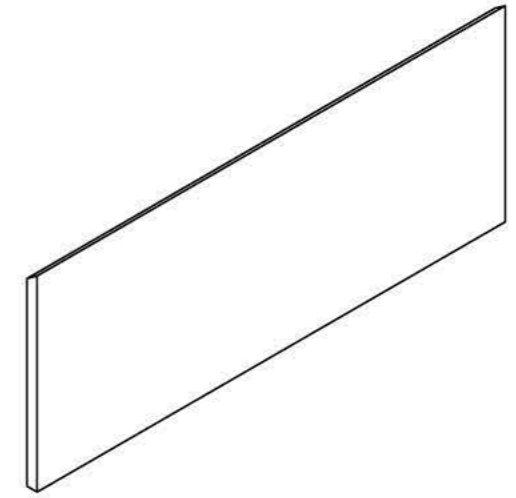


UNLESS OTHERWISE SPECIFIED: DIMENSIONS ARE IN MILLIMETERS				REVISION		01
PKS - Pendelkast						
Linker Zijkant						
DRAWN				MATERIAL:		DWG NO.
NAME	SIGNATURE	DATE		multiplex		P2012.012
Manfred Overkamp		01-05-2012				A3
				WEIGHT:		SCALE:1:5
						SHEET 1 OF 1

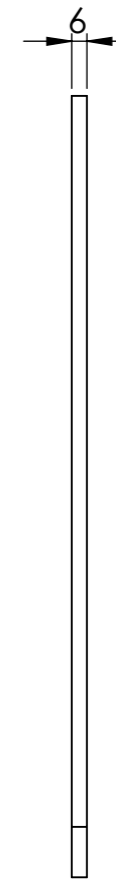
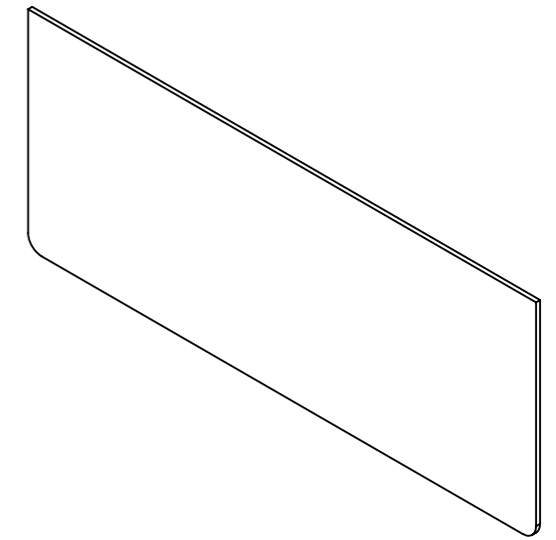
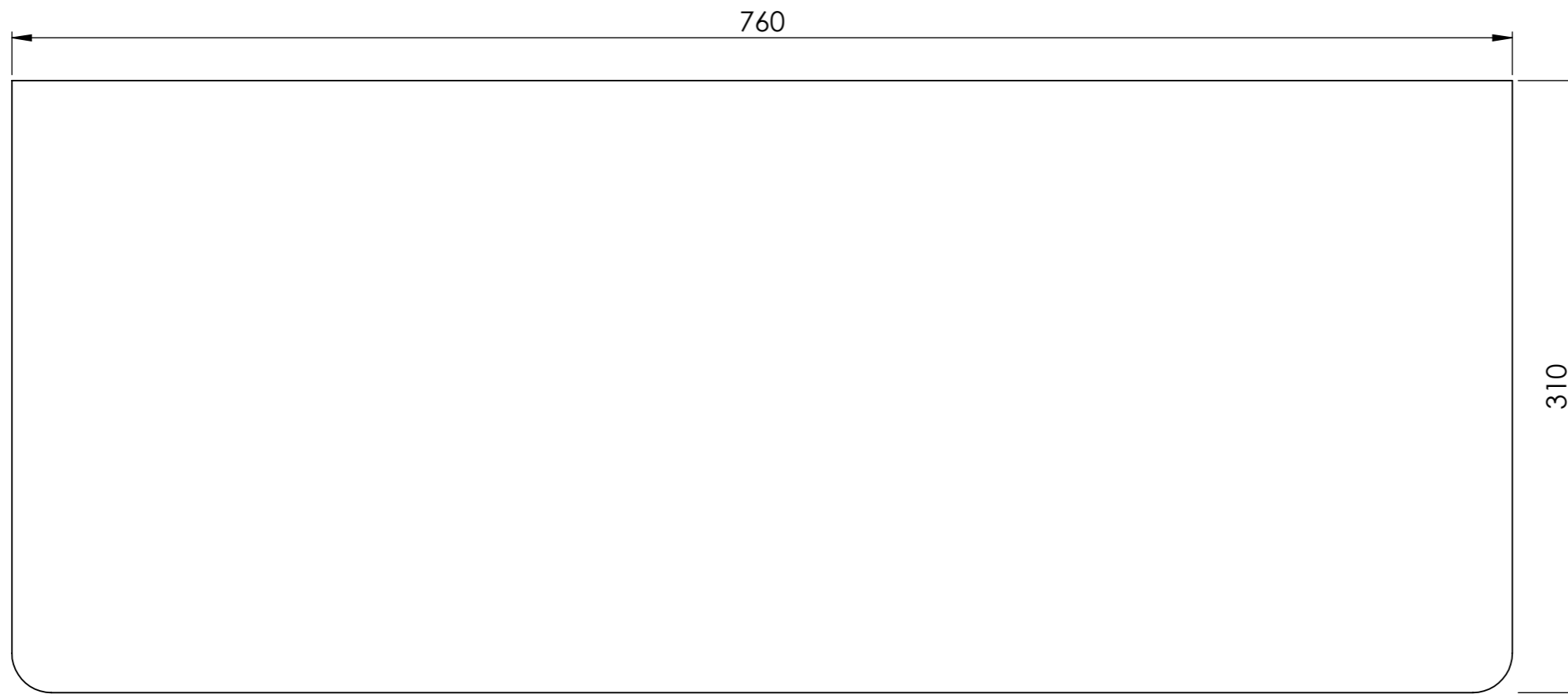


UNLESS OTHERWISE SPECIFIED: DIMENSIONS ARE IN MILLIMETERS				REVISION 01	
				PKS - Pendelkast	
				Rechter zijkant	
DRAWN	NAME Manfred Overkamp	SIGNATURE	DATE 01-05-2012	TITLE:	
				DWG NO. P2012.013	
			MATERIAL: multiplex	SCALE:1:1	
			WEIGHT:	SHEET 1 OF 1	
				A3	

**Maak een Rechter en een linker versie van het dak.
(In Spiegelbeeld)**



UNLESS OTHERWISE SPECIFIED: DIMENSIONS ARE IN MILLIMETERS				REVISION		01
PKS - Pendelkast						
TITLE: Dak						
DRAWN	NAME	SIGNATURE	DATE	MATERIAL:	DWG NO.	A3
	Manfred Overkamp		01-05-2012	multiplex	P2012.014	
				WEIGHT:	SCALE:1:1	SHEET 1 OF 1



UNLESS OTHERWISE SPECIFIED: DIMENSIONS ARE IN MILLIMETERS				REVISION		01
PKS - Pendelkast						
TITLE:						
Trespa Dak						
				DWG NO.		P2012.016
				SCALE:1:1		A3
				SHEET 1 OF 1		
	NAME	SIGNATURE	DATE			
DRAWN	Manfred Overkamp		01-05-2012			
				MATERIAL:		
				WEIGHT:		

